

## Grandstream Networks, Inc.

126 Brookline Ave, 3rd Floor  
Boston, MA 02215. USA  
Tel : +1 (617) 566 - 9300  
Fax: +1 (617) 249 - 1987

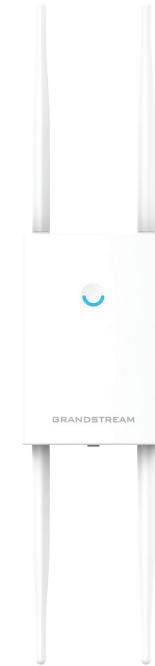
[www.grandstream.com](http://www.grandstream.com)



AT	BE	CY	CZ	DK	EE	FI
FR	DE	EL	HU	IE	IT	LV
LT	LU	MT	NL	PL	PT	SK
SI	ES	SE	UK	BG	RO	HR

In all EU member states, operation of 5150  
- 5350 MHz is restricted to indoor use only.

For Certification, Warranty and RMA information, please visit  
[www.grandstream.com](http://www.grandstream.com)



## GWN7630LR

Outdoor Long-Range High-Performance

802.11ac Wi-Fi Access Point

## Quick Installation Guide

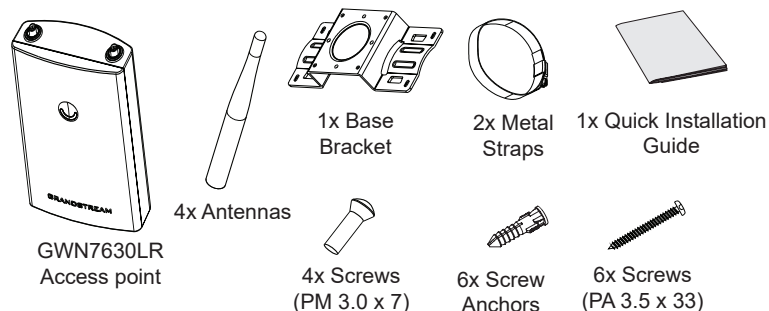
## OVERVIEW

This long range Wi-Fi access point is designed to provide extended coverage support and is ideal for outdoor Wi-Fi solutions thanks to its waterproof casing and heat resistant technology. The GWN7630LR comes equipped with dual-band 4x4:4 MU-MIMO technology and a sophisticated antenna design for maximum network throughput and extended Wi-Fi coverage range of up to 300 meters. To ensure easy installation and management, the GWN7630LR uses a controller-less distributed network management design in which the controller is embedded within the product's web user interface. The GWN7630LR is also supported by GWN.Cloud, Grandstream's free cloud Wi-Fi management platform. It is the ideal Wi-Fi AP for voice-over-Wi-Fi deployments and offers a seamless connection with Grandstream's Wi-Fi-capable IP phones. With support for advanced QoS, low-latency real-time applications, mesh networks, captive portals, 200+ concurrent clients per AP and dual Gigabit network ports with PoE/PoE+, the GWN7630LR is an ideal Wi-Fi access point for medium wireless network deployments with medium-to-high user density.

## PRECAUTIONS

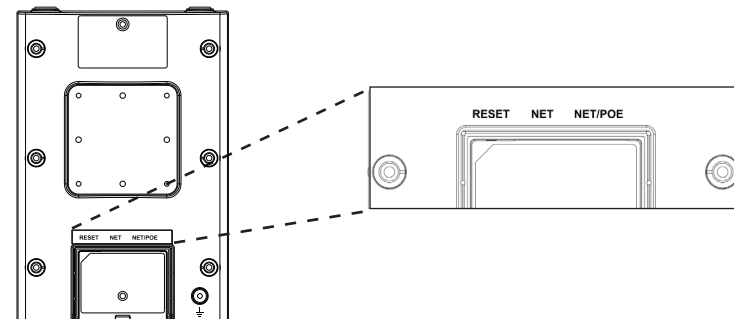
- Do not attempt to open, disassemble, or modify the device.
- Do not expose this device to temperatures outside range of -30 °C to 60 °C for operating and -30 °C to 70 °C for storage.
- Do not expose the GWN7630LR to environments outside of the following humidity range: 5-95% RH (non-condensing).
- Do not power cycle your GWN7630LR access point during system boot up or firmware upgrade. You may corrupt firmware images and cause the unit to malfunction.

## PACKAGE CONTENTS



~1~

## GWN7630LR PORTS



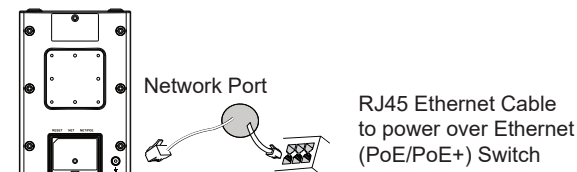
Port	Description
NET/POE	Ethernet RJ45 port (10/100/1000Mbps) supporting PoE/PoE+.
NET	Ethernet RJ45 port (10/100/1000Mbps) to your router or another GWN76xx.
RESET	Factory reset button. Press for 7 seconds to reset factory default settings.

## POWERING AND CONNECTING THE GWN7630LR

GWN7630LR can be powered on using PoE/PoE+ switch using following steps:

**Step 1:** Plug a RJ45 Ethernet cable into the network port of GWN7630LR.

**Step 2:** Plug the other end into the uplink port of the power over Ethernet (PoE/PoE+) switch.



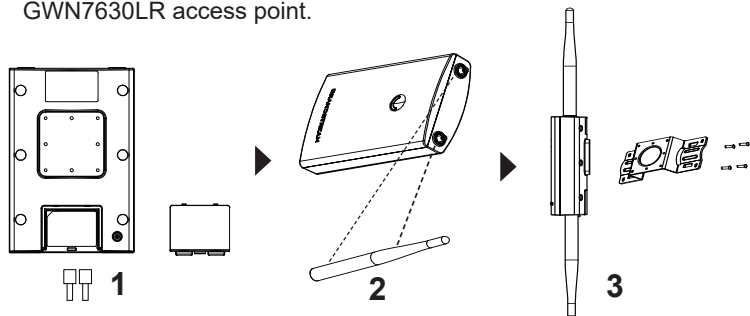
## HARDWARE INSTALLATION

GWN7630LR can be mounted on the wall or on a metal bar, Please refer to the following steps for the appropriate installation.

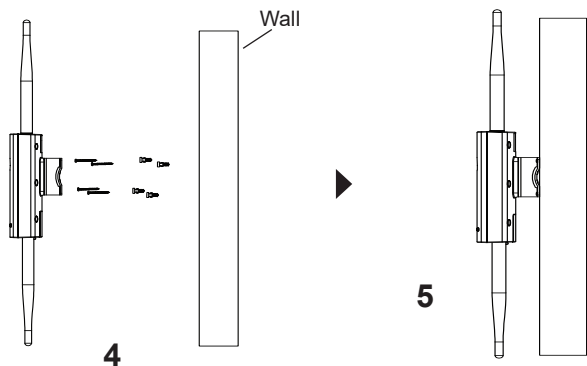
~2~

## Wall Mount

1. Connect the Ethernet cable (RJ45) to the correct ports of your GWN7630LR and insert the cover bracket.
2. Connect each antenna to an antenna connector by rotating it clockwise.
3. Attach the Base Bracket with screws (PM 3.0 x 7) on the back of GWN7630LR access point.



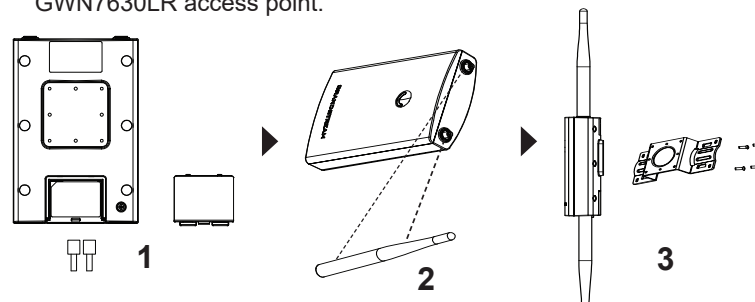
4. Insert screws (PA 3.5x33) through the Base Bracket and mark the mounting screw holes on the wall using a pencil.
5. Drill the holes in the spots that you have marked and slide the anchors into the wall. Secure the GWN7630LR access point to the wall by inserting the screws into the anchors.



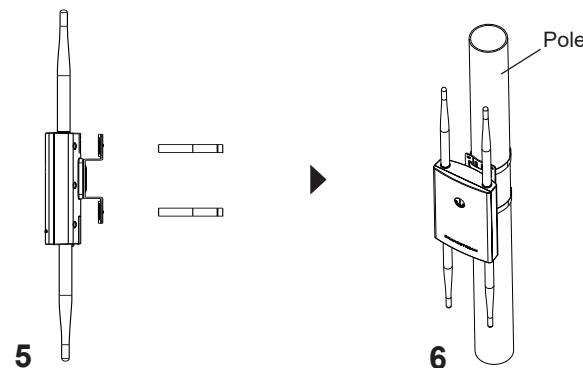
~3~

## Pole Mount

1. Connect the Ethernet cable (RJ45) to the correct ports of your GWN7630LR and insert the cover bracket.
2. Connect each antenna to an antenna connector by rotating it clockwise.
3. Attach the Base Bracket with screws (PM 3.0 x 7) on the back of GWN7630LR access point.



4. Open the metal straps by turning the locking mechanism counter-clockwise. You can loosen it by hand or use a flathead screwdriver.
5. Straighten out the end of the metal straps and slide it through the back of the base bracket.
6. Wrap the metal strap around the pole and use a flathead screwdriver to tighten the locking mechanism by turning it clockwise.



~4~

## CONNECT TO GWN7630LR DEFAULT Wi-Fi NETWORK

GWN7630LR can be used as standalone access point out of box, or after factory reset with Wi-Fi enabled by default.

After powering the GWN7630LR and connecting it to the network, GWN7630LR will broadcast a default SSID based on its MAC address **GWN[MAC's last 6 digits]** and a random password.

**Note:** GWN7630LR's default SSID and password information are printed on the sticker at the back of the unit.

## ACCESSING THE CONFIGURATION INTERFACE

A computer connected to the GWN7630LR's SSID, or to the same network as the GWN7630LR can discover and access its configuration interface using one of the below methods:

### Method 1: Discover GWN7630LR using its MAC Address

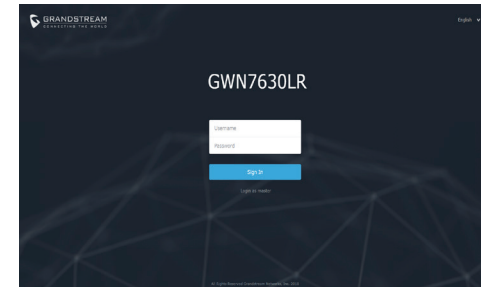
1. Locate the MAC address on the MAC tag of the unit, which is on the underside of the device, or on the package.
2. From a computer connected to same network as the GWN7630LR, type in following address using GWN7630LR's MAC address on your browser **https://gwn\_<mac>.local**

Example: If a GWN7630LR has the MAC address 00:0B:82:8C:4D:F8, this unit can be accessed by typing **https://gwn\_000b828c4df8.local** on the browser.

### Method 2: Discover GWN7630LR using GWN Discovery Tool

1. Download and install **GWN Discovery Tool** from the following link: <http://www.grandstream.com/tools/GWNDiscoveryTool.zip>
2. Open the GWN DiscoveryTool, and click on **Scan**.
3. The tool will discover all GWN76xx Access Points connected on the network showing their MAC and IP addresses.

4. Click on **Manage Device** to be redirected directly to the GWN7630LR's configuration interface, or type in manually the displayed IP address on your browser.
5. Enter username and password to login. (The default administrator username is "admin" and the default random password can be found at the back sticker on the GWN7630LR).



### Notes:

- Make sure that the GWN7630LR is not already paired with another GWN76xx Access Point as slave, GWN7000 Router Series or GWN. Cloud, otherwise the configuration interface cannot be accessed
- If the GWN7630LR is already paired, make sure to unpair it first, or do a factory reset.
- It is customer's responsibility to ensure compliance with local regulations for frequency bands, transmit power and others.
- To manage GWN7630LR over cloud, please refer to <https://www.gwn.cloud>.

The GNU GPL license terms are incorporated into the device firmware and can be accessed via the Web user interface of the device at my\_device\_ip/gpl\_license. It can also be accessed here:

<http://www.grandstream.com/legal/open-source-software>

To obtain a CD with GPL source code information please submit a written request to [info@grandstream.com](mailto:info@grandstream.com)

Refer to online documents and FAQ for more detailed information:

<http://www.grandstream.com/our-products>